

# CTH3-A 355 T4 0,55KW ATEX Zone 2: FAN (Ex h IIB T3 Gc) + MOTOR (Ex ec IIC T3 Gc) (279350106AXN)

## GENERAL DATA



ROOF FAN, AL COWL ATEX

### MANUFACTURING FEATURES

- Roof cowl made of aluminium
- Structure, roof base support and bird protection guard made of galvanised steel.
- High efficiency backward impeller with self-cleaning system of steel.
- ATEX standard asynchronous motor. ATEX certified according to the zone. IP55 protection and class F insulation. Manufactured with standard voltages: 230/400V 50Hz for three phase motors up to 4kW and 400/690V 50Hz for higher powers.

### APPLICATIONS

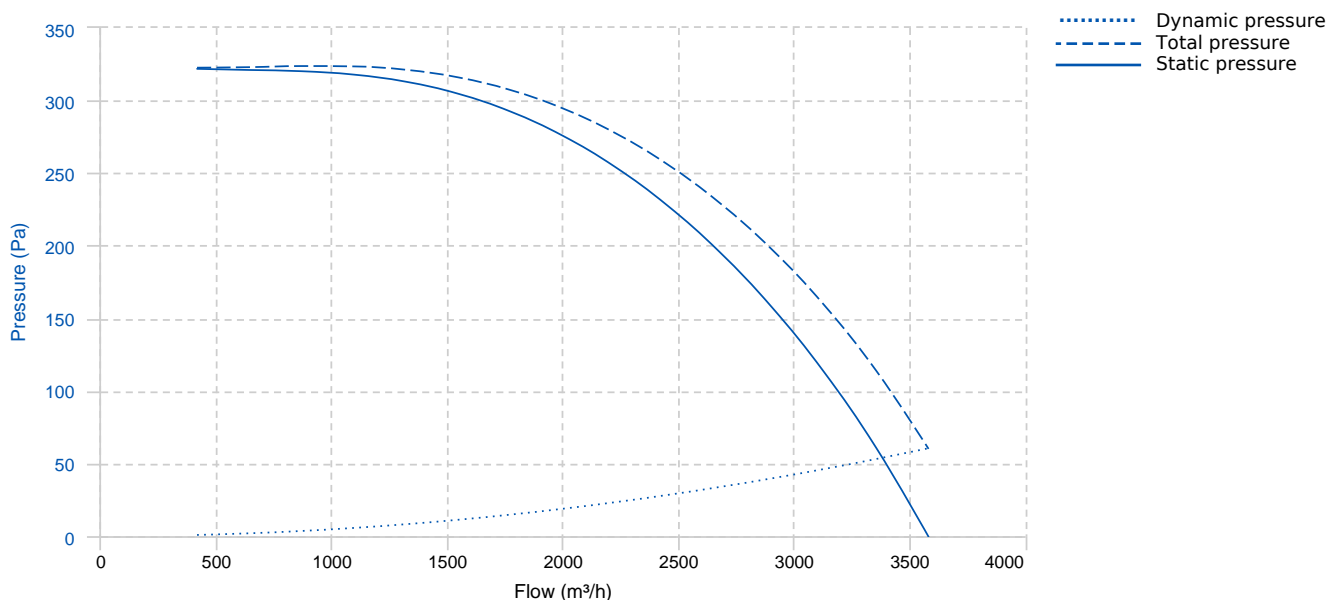
Ventilation in indoor environments classified as ATEX. Specially designed for roof installation, they are suitable for:

- Smoke extraction.
- Smoke emergency exhaust with motor outside the hazardous area.
- Air renewal in buildings and industries.
- Industrial and professional kitchen hoods.
- Working temperature: ambient from -20°C to 40°C, transported air according to the ATEX classification.

### UNDER REQUEST

- 60Hz and special voltages.

## PERFORMANCE CURVE



## TECHNICAL DATA

### Fan

RPM	1430	Approx. weight	38 kg	Max. Flow	3590 m³/h
-----	------	----------------	-------	-----------	-----------

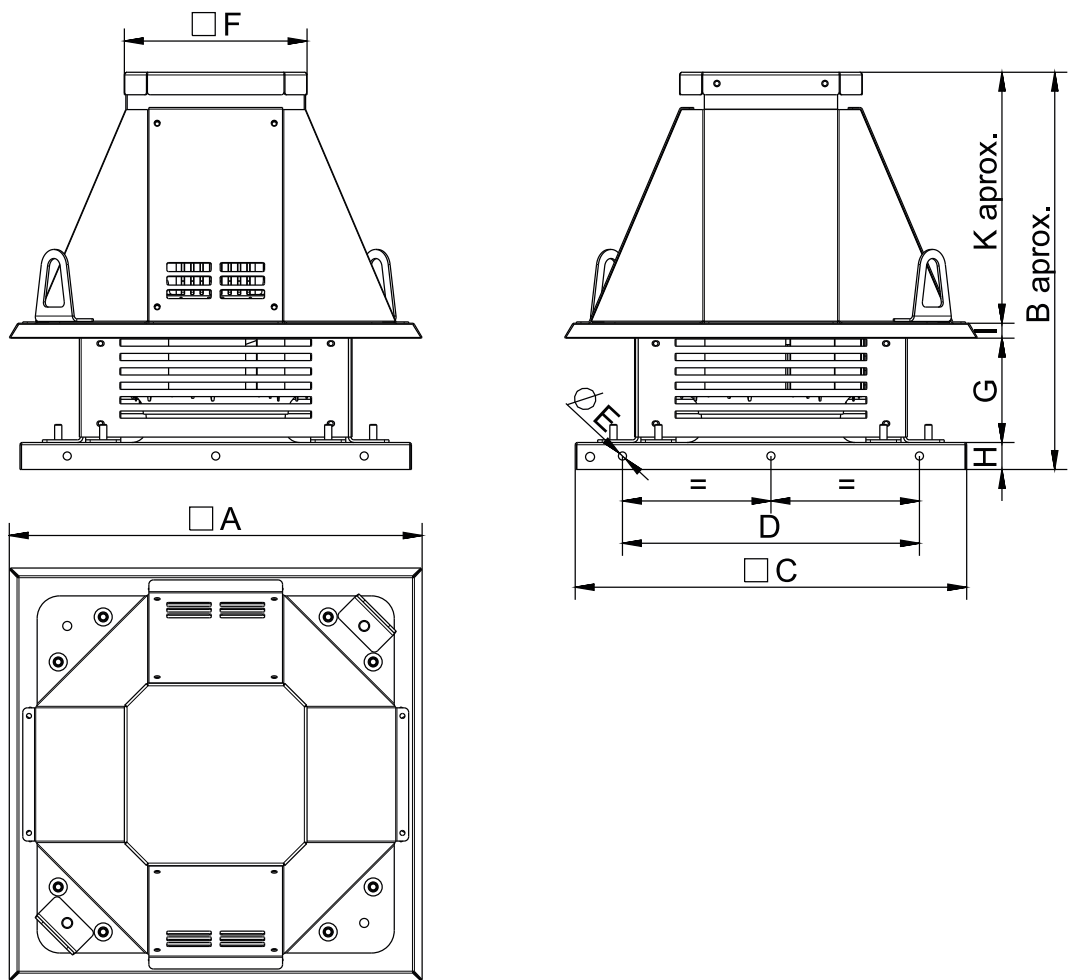
### Motor

Power	0,55 kW	RPM	1430	I max. (400V)	1,75 A	Size	80
-------	---------	-----	------	---------------	--------	------	----

## Motor

Approx. weight	8 kg	Efficiency (%)	58 %	FP	0.71
----------------	------	----------------	------	----	------

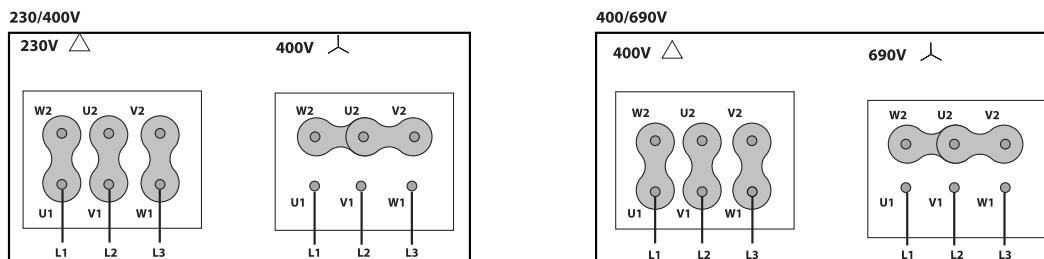
## DIMENSIONS



## Dimensions (mm)

A	664,6	B aprox	644,6	C	665	D	520	E	9
F	253	G	210,8	H	40	I	30,75	K aprox	363,25

## WIRING DIAGRAM



## ACCESSORIES



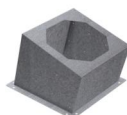
**SAFETY SWITCH**  
**INT 25 3P A**  
**REF: INT253PA**



**ATEX SWITCH**  
**INT 16 ATEX**  
**REF: 510200016X**

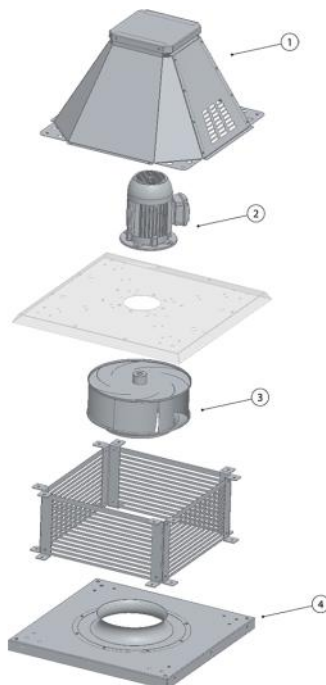


**FREQUENCY SPEED CONTROLLER**  
**SFC 400 III 2,2A \***  
**REF: SFC400III2**



**INCLINED ROOF FAN SUPPORT**  
**BTI 640**  
**REF: A-50870640XX**

## SPARE PARTS



	Code	Model	Qty
1	R-279358491	ROOF COWL CTH3-A 355-400-450	x1
3	R-279359381	IMPELLER THRE R63B1 355X112x19 RD	x1